

## Current clamp

111.7043

- ▶ **Current clamp for PQ-Box, measurement range 0... 5 A**

### 1. Use

These current clamps are designed for the measurement of current up to 5 A in low voltage systems. It is also possible to use them in secondary circuit of current transformers in medium voltage systems.

The current clamp may be connected by 4 mm safety sockets.

**Caution:**

Adapter cable set (111.7004) is needed for connection with PQ-Box.



### 2. Electrical Characteristics

Rated current $I_N$	:	5A AC <sub>RMS</sub>
Measurement range	:	10mA – 5A <sub>RMS</sub>
Output	:	100mV/A
Impedance	:	≥ 10kΩ
Influence of conductor positioning	:	< 0.5% @ 50/60Hz
Proximity error	:	≤ 15mA / A @ 50Hz
Angle error at 2 kHz, 1A	:	± 1 Grad
Frequency range	:	40 Hz to 20 kHz
Temperature coefficient	:	0.015% / °C
Permissible voltage	:	600 V AC <sub>RMS</sub> or DC

### 3. Accuracy

Range	5 A		
	5mA	500mA	5A
Primary current	± 2%	± 1%	± 0,5%
Accuracy (%)	± 2°	± 1°	± 1°
Angle error (typ.)	± 2°	± 1°	± 1°

## 4. General characteristicsC

Max. conductor cross-section	:	Diameter 15 mm, bar 15 x 17mm
Connection	:	4 mm safety socket
Operation temperature	:	-10 to +55 °C
Storage temperature	:	-20 to +70 °C
Humidity, in operation	:	15% to 85% (no condensate)
Weight	:	180g

**Reference conditions:** Temperature: +18° C to 26° C, Humidity: 20 to 75% RH, sinus current: 48 to 65Hz, Distortion factor: < 1%, DC current: no, DC magnetic field: 40 A/m Earth's magnetic field, Alternative magnetic field: no, Proximity to external conductor: no, Cable set-up: centralized, Impedance:  $\geq 10$  k $\Omega$ , <100 pF, for voltage output.

### Caution:

Not for use on AUX-Input from PQ-Box 200 (measurement error!)

## 5. Connection

Pin 1	L1 (+) Black	Pin 5	L1, L2, L3, N (-) Red
Pin 2	L2 (+) Black	Pin 6	Bridge between Pin 4, 5 and 7
Pin 3	L3 (+) Black	Pin 7	Shielding
Pin 4	Bridge to Pin 6		

## 6. Safety Standard

EN61010-1: 1993 and correction A2: July 1995

EN61010-2-032: 1995

EN61010-2-031: 1995

600 V<sub>RMS</sub>, CAT III

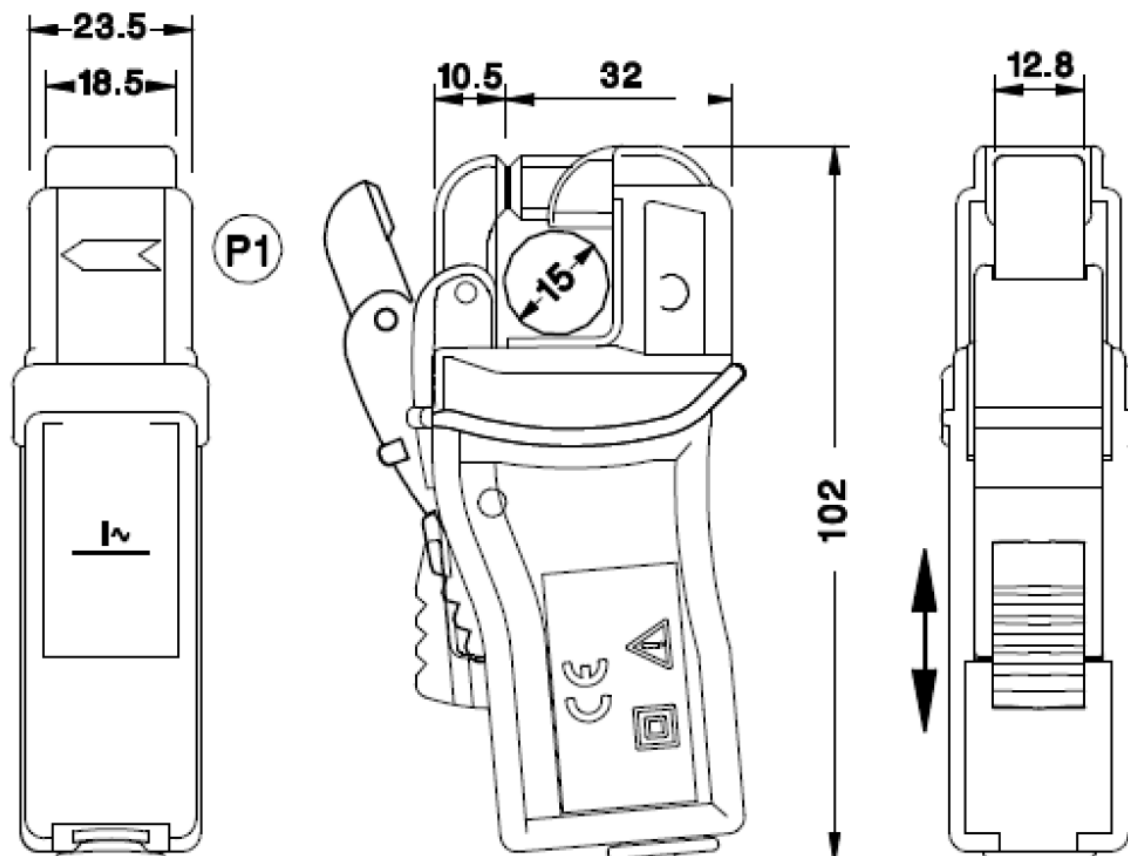
The usage of these current clamps at uninsulated conductors is limited to voltages of 600 V AC<sub>RMS</sub> or DC frequencies up to 1 kHz.

## 7. EMC Standards

EN 61326:1998

## 8. Dimensions

in mm



We take care of it.

---

## 9. Ordering Information

FEATURE	ORDER CODE
<b>Current clamp</b> ● Current clamp, 1x5A, 2x 4mm socket	<b>111.7043</b>
ACCESSORIES	ORDER CODE
<b>Adapter cable set</b> ● Adapter cable, 8-pole, length 2m	<b>111.7004</b>

### A. Eberle GmbH & Co. KG

Frankenstraße 160  
D-90461 Nürnberg

Tel.: +49 (0) 911 / 62 81 08-0  
Fax: +49 (0) 911 / 62 81 08 96  
E-Mail: info@a-eberle.de

<http://www.a-eberle.de>

Version: 11/6/2017 1:37 PM

Copyright 2017 by A. Eberle GmbH & Co. KG

Subject to change without notice.