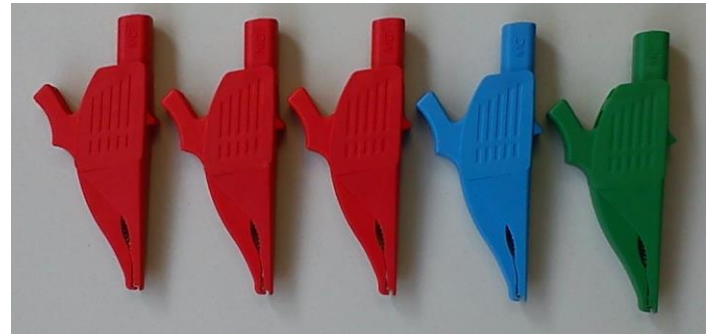


Dolphin clamps

111.7024

- ▶ For tapping the measuring voltage with PQ-Box.
- This kit contains:
 - 3x red
 - 1x blue
 - 1x green



1. Use

These clamps are used to tap voltages with PQ-Box.

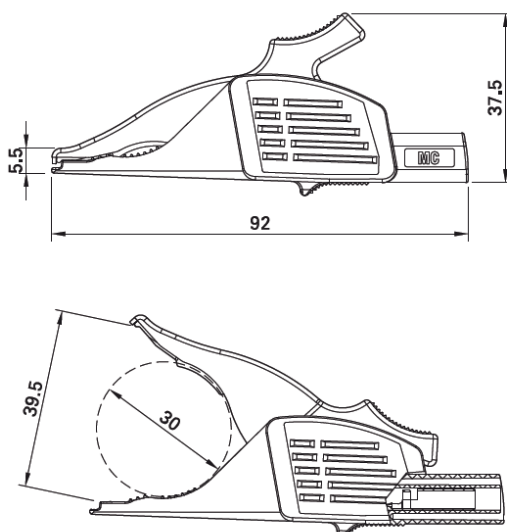
2. Structure

The fully-insulated dolphin clamp is made of brass and consists of a serrated clamp a clamping surface for fine wires. It is connected by a 4 mm safety socket. This short circuit-safe version features fully-insulated and non-slip legs.

4. Technical Data

Voltage:	600V
Connection:	4mm, Safety socket
Current:	Max. 16A
Protection class:	CAT IV

3. Dimensions



We take care of it.

5. Ordering Information

FEATURE	ORDER CODE
Dolphin clamp, kit ● Dolphin clamp, 3x red, 1x blue, 1x green	111.7024
Dolphin clamp, rot ● Dolphin clamp, 1x rot	111.7024.01
Dolphin clamp, blue ● Dolphin clamp, 1x blue	111.7024.02
Dolphin clamp, rot ● Dolphin clamp, 1x green	111.7024.03

A. Eberle GmbH & Co. KG

Frankenstraße 160
D-90461 Nürnberg

Tel.: +49 (0) 911 / 62 81 08-0
Fax: +49 (0) 911 / 62 81 08 96
E-Mail: info@a-eberle.de

<http://www.a-eberle.de>

Version: 11/6/2017 4:09 PM

Copyright 2013 by A. Eberle GmbH & Co. KG

Subject to change without notice.